

CRYOVAC® VITEMBAL® POLYSTYRENE BARRIER FOAM TRAYS

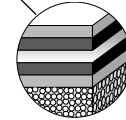
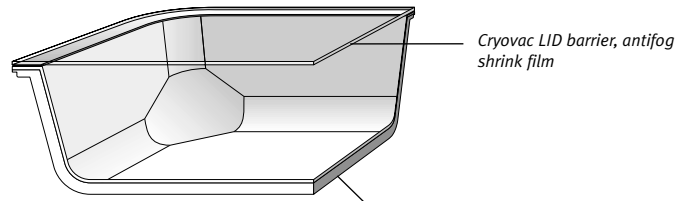
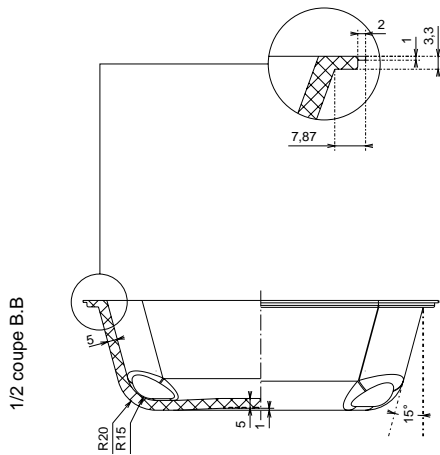
An integral part of the new Cryovac LID Full System:
trays, absorbent pads, film, equipment.



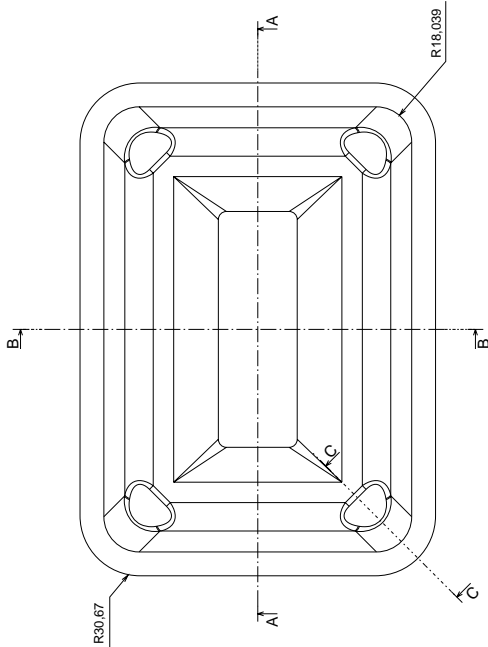
- **Widest choice** on the market of tray sizes, shapes and colours.
- **One-stop shopping** for all your LID packaging needs means added convenience and efficiencies.
- **Top tray performance**, thanks to consistent properties, precise dimensions. Pre-padding option speeds output.
- **Extended shelf-life** through effective barrier, total pack security. Cryovac Vitembal trays are CFC-free.
- **Strong consumer appeal** assured by high quality trays in a wide array of colours and designs, neat pack appearance, printable film.



ONE RELIABLE SOURCE FOR ALL YOUR TRAY NEEDS.



Cryovac Vitembal barrier foam tray with Cryovac co-extruded barrier liner.



With its vast choice of sizes, shapes and colours, Cryovac Vitembal provides one of the widest selection of high performance polystyrene foam barrier trays on the market, with critical advantages:

- Precise, stable dimensions
- High barrier properties
- Cut-corner design for added rigidity and easier de-nesting
- Squeezed flanges for optimum stability, hygiene and presentation
- Designed for the Cryovac Ross modified atmosphere lidding process

These top quality trays are guaranteed by Cryovac, the world's leading supplier of innovative packaging materials, systems and equipment for food processors and retailers.

Your local CRYOVAC representative will gladly give you full information.

©Cryovac is a registered trademark of Cryovac, Inc., a subsidiary of Sealed Air Corporation.
 *Vitembal is a trademark of Vitembal-Holding.

We hope the information given here will be helpful. It is based on data and knowledge considered to be true and accurate and is offered for the user's consideration, investigation and verification, but since the conditions of use are beyond our control we do not warrant the results to be obtained. Please read all statements, recommendations or suggestions in conjunction with our conditions of sale including those limiting warranties and remedies which apply to all goods supplied by us. No statement, recommendation or suggestion is intended for any use which would violate or infringe statutory obligations or any rights belonging to a third party.